

<https://usbflashprog.robsonmartins.com>

Robson Martins

Sheet: /

File: usbflashprog.kicad_sch

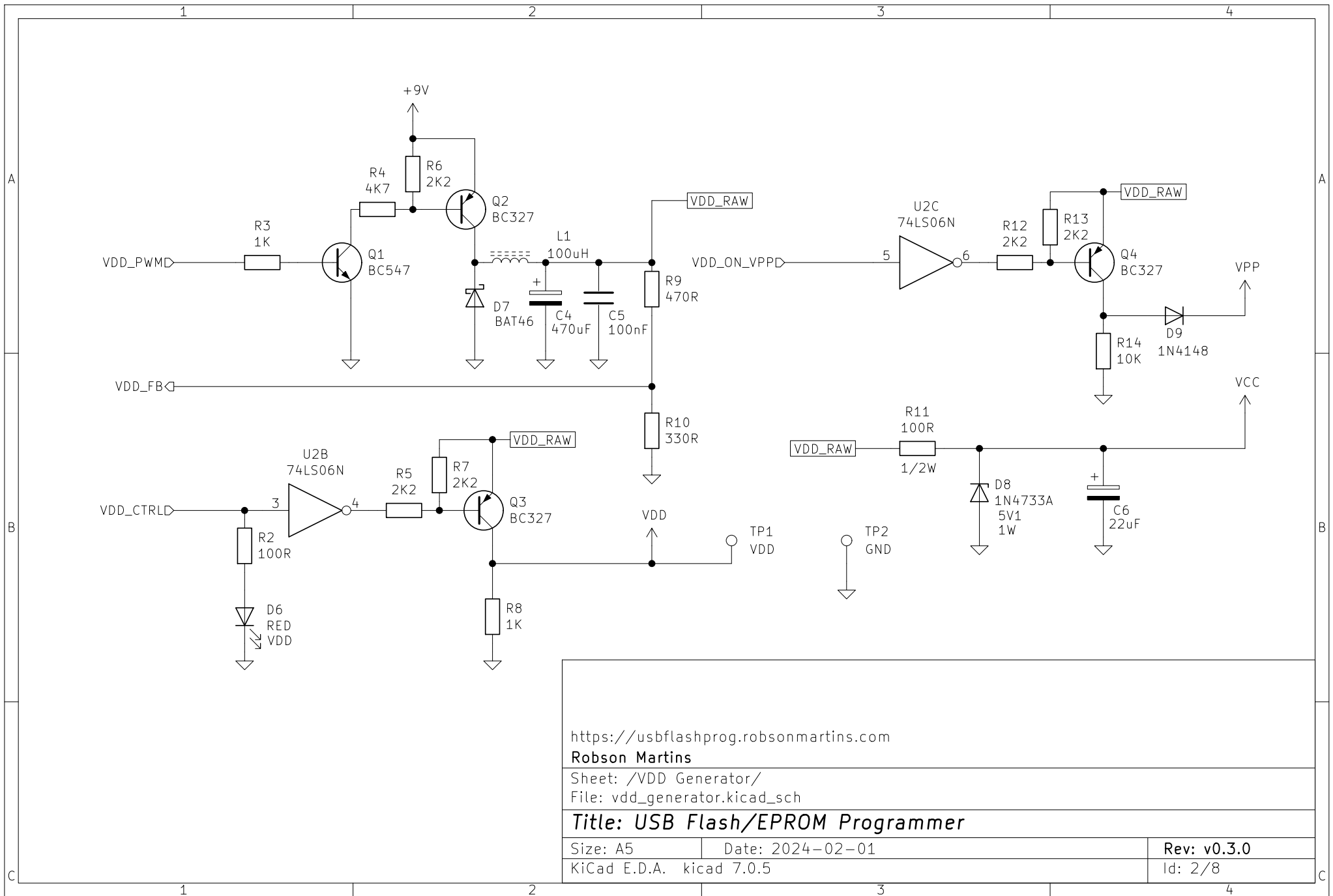
Title: USB Flash/EPROM Programmer

Size: A4 | Date: 2024-02-01

KiCad E.D.A. kicad 7.0.5

Rev: v0.3.0

Id: 1/8



<https://usbflashprog.robsonmartins.com>

Robson Martins

Sheet: /VDD Generator/

File: vdd_generator.kicad_sch

Title: USB Flash/EPROM Programmer

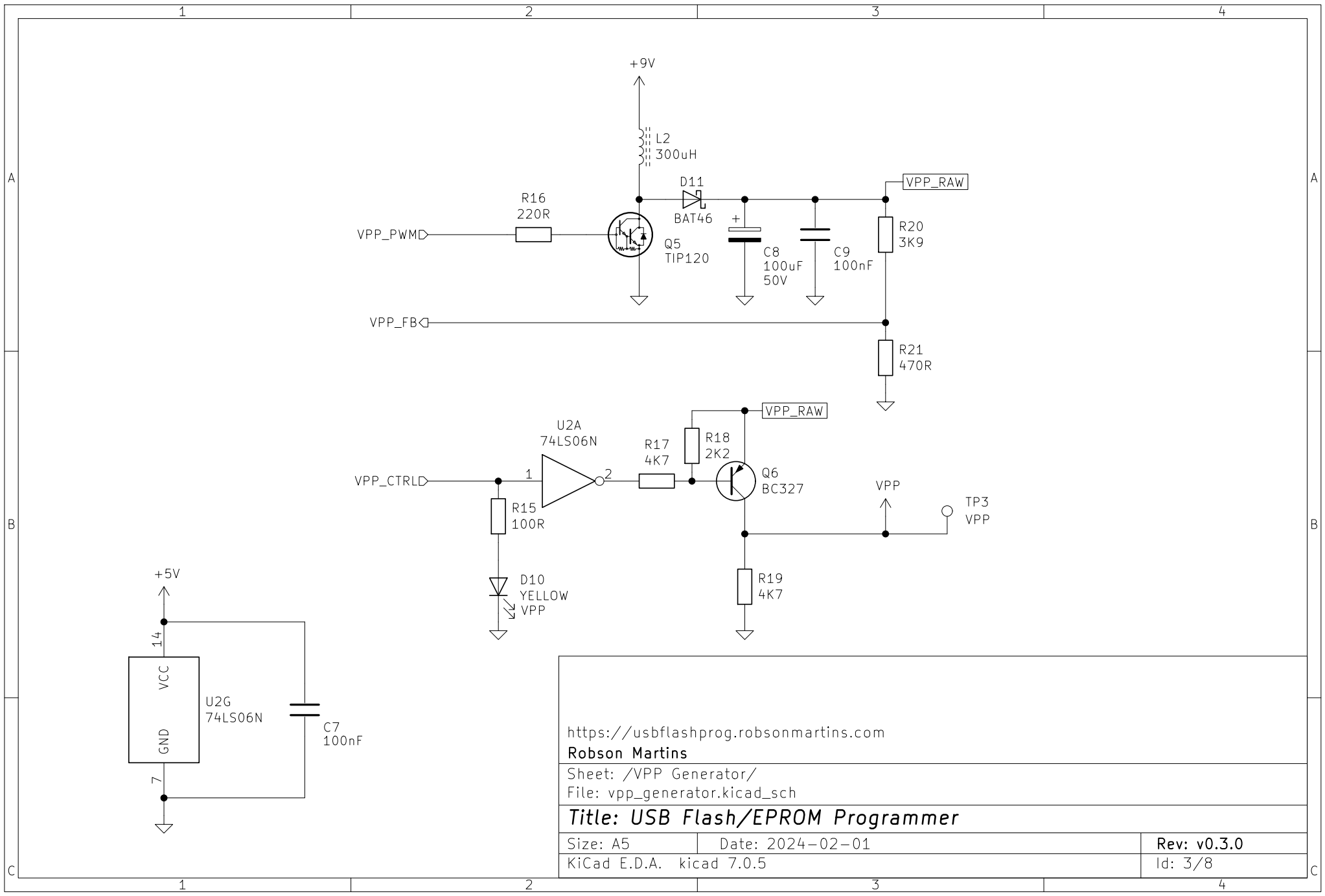
Size: A5

Date: 2024-02-01

Rev: v0.3.0

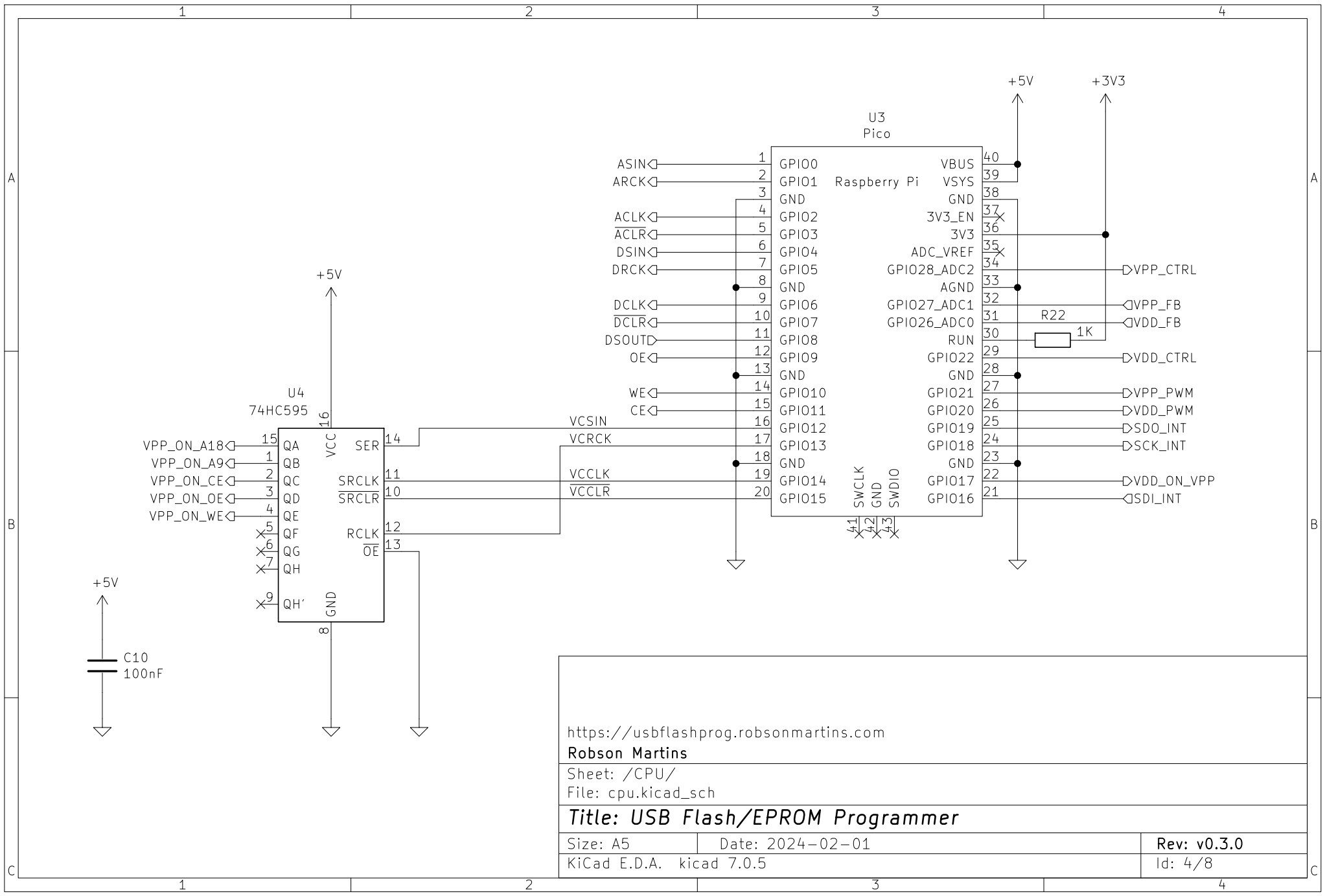
KiCad E.D.A. kicad 7.0.5

Id: 2/8



<https://usbflashprog.robsonmartins.com>
Robson Martins
 Sheet: /VPP Generator/
 File: vpp_generator.kicad_sch
Title: USB Flash/EPROM Programmer

Size: A5	Date: 2024-02-01	Rev: v0.3.0
KiCad E.D.A. kicad 7.0.5		Id: 3/8



<https://usbflashprog.robsonmartins.com>

Robson Martins

Sheet: /CPU/

File: cpu.kicad_sch

Title: USB Flash/EPROM Programmer

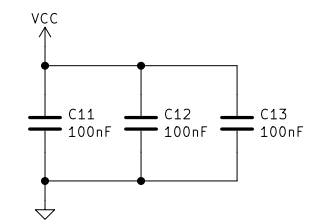
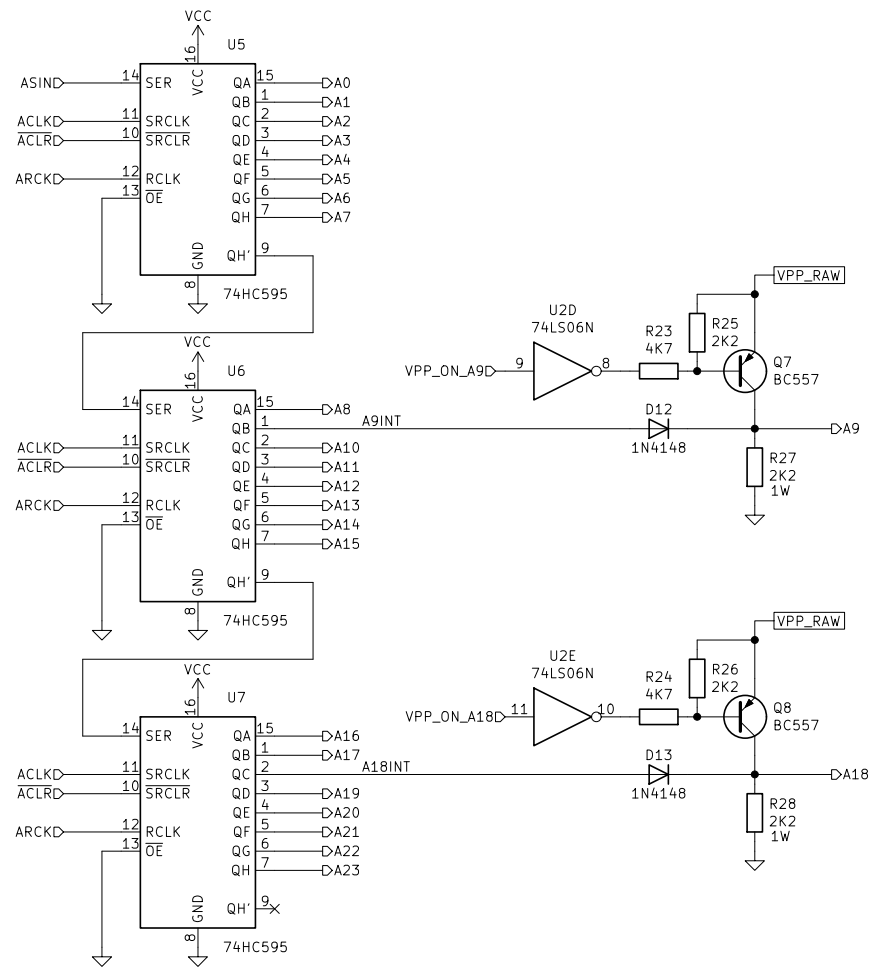
Size: A5

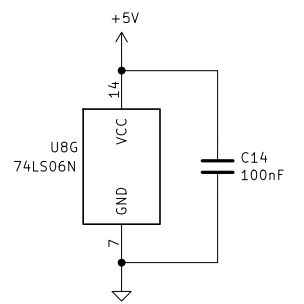
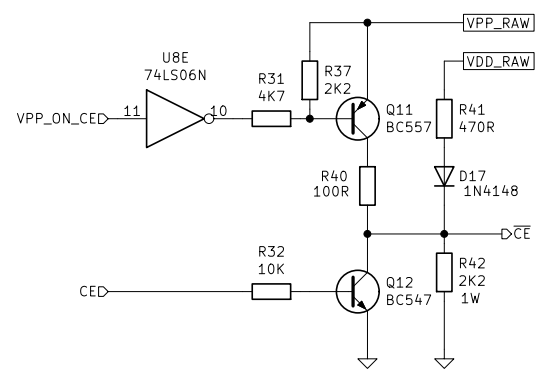
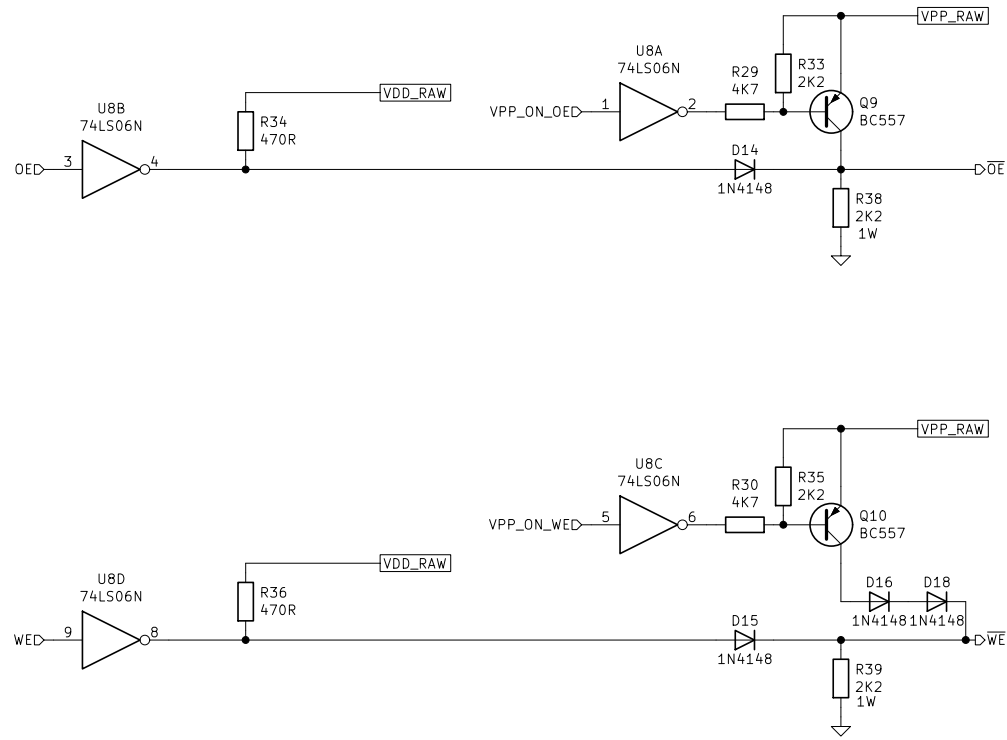
Date: 2024-02-01

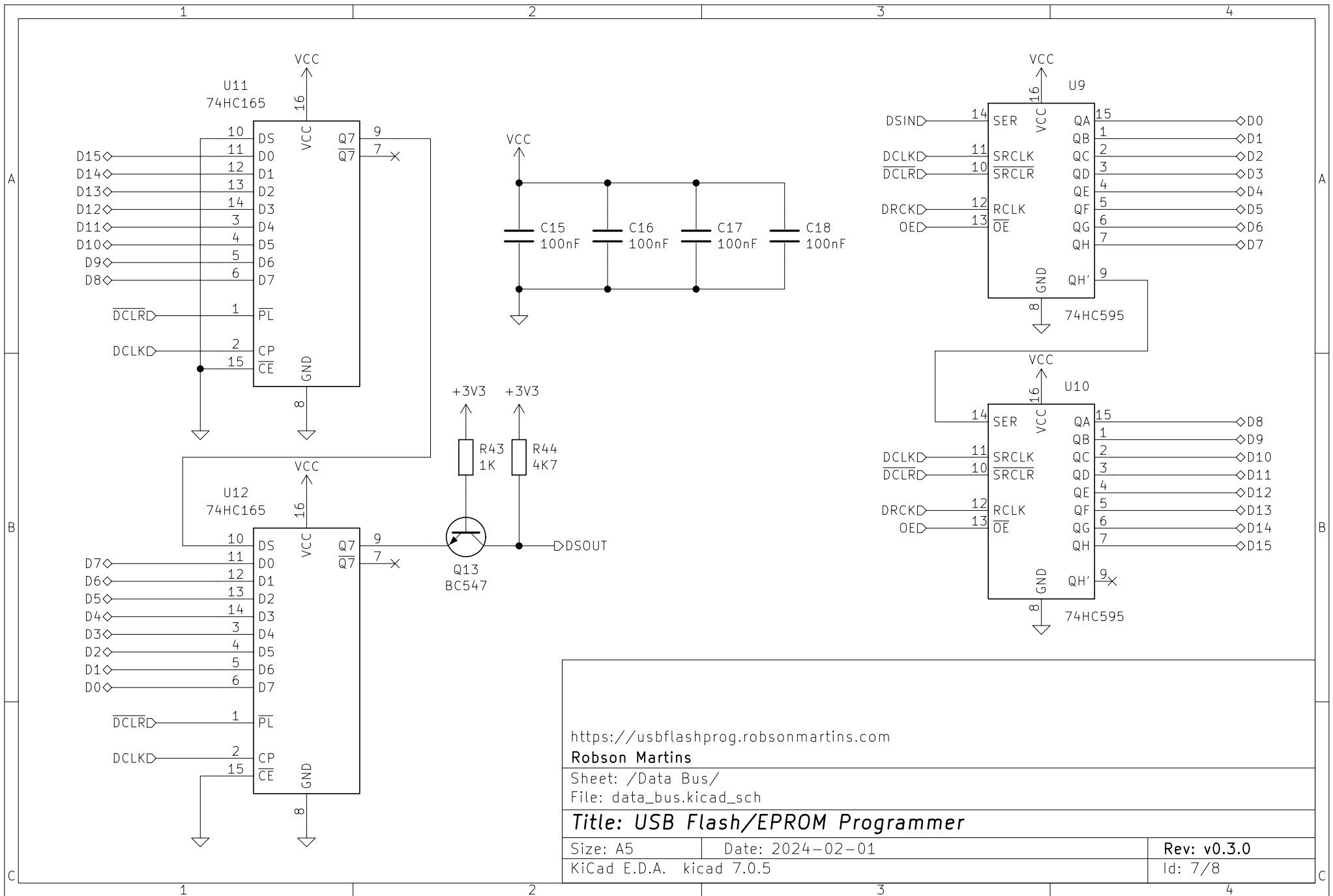
Rev: v0.3.0

KiCad E.D.A. kicad 7.0.5

Id: 4/8

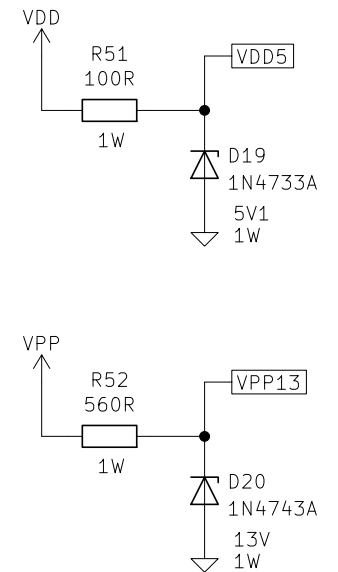
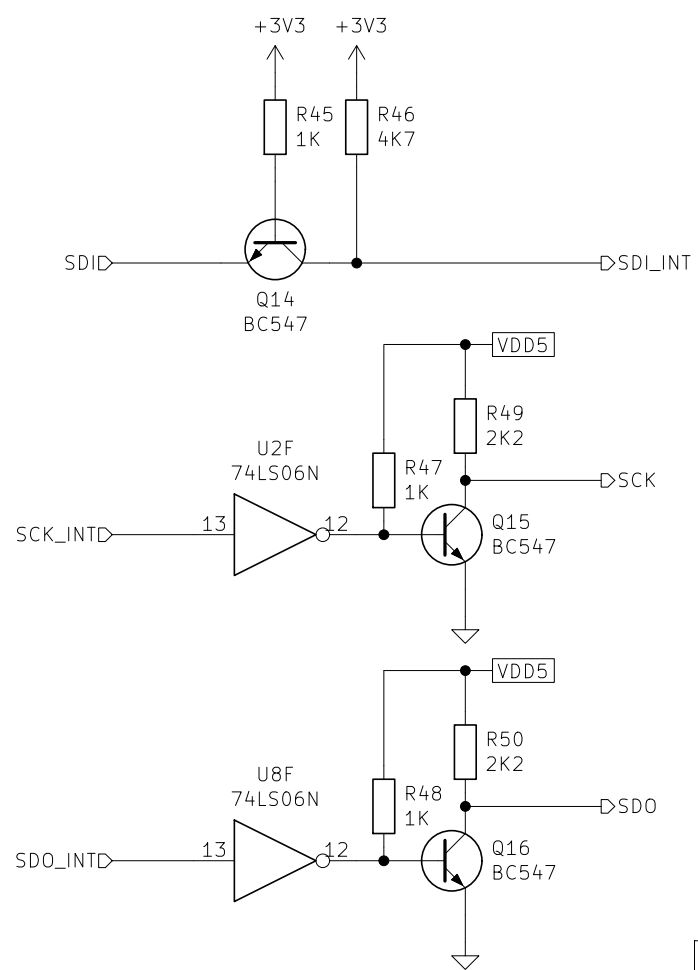






<https://usbflashprog.robsonmartins.com>
Robson Martins
 Sheet: /Data Bus/
 File: data_bus.kicad_sch
Title: USB Flash/EPROM Programmer

Size: A5	Date: 2024-02-01	Rev: v0.3.0
KiCad E.D.A. kicad 7.0.5		Id: 7/8



https://usbflashprog.robsonmartins.com Robson Martins Sheet: /Serial Bus/ File: serial_bus.kicad_sch		
Title: USB Flash/EPR0M Programmer		
Size: A5	Date: 2024-02-01	Rev: v0.3.0
KiCad E.D.A. kicad 7.0.5		Id: 8/8